

*think process!*

**WP** Haton



**B 300 GV**

Dough Divider

**WP** BAKERYGROUP

*think process!*

# B 300 GV

Picture B 300 GV

*Grand Vitesse*

**SPECIALLY DEVELOPED FOR DIVIDING DOUGH IN FRENCH BAGUETTES LINES AND FOR THE PRODUCTION OF BAGUETTES AND PETIT PAIN IN INDUSTRIAL AND SEMI-INDUSTRIAL LINES WITH A CAPACITY UP TO 3000 PIECES AN HOUR.**



## **BENEFITS**

- High weight precision
- Especially developed for baguettes doughs
- Suitable for high capacity lines
- Fits in every common line concept
- Dough friendly dividing
- Hinged hopper for easy cleaning
- Dividing of 'green' doughs as well pre-fermented doughs
- Special round hopper for excellent filling of the dividing unit
- Main piston Ni-Resist
- Measuring pistons plastic
- Self-cleaning knife
- Double sided drive of backslide and ejection mechanism
- Oil catch tray underneath machine
- Solid construction of frame and drive system
- Suction volume adjustable

## BASIC EXECUTION:

- B 300 GV: 1 pocket machine
- Dividing unit with automatic oiling on unit, discharge conveyor, discharge flap and measuring piston, 12 fixed dosing valves
- Plastic measuring piston
- Main piston synthetic material
- Discharge conveyor straight 1350 mm, with motor reductor and frequency inverter
- Pneumatic discharge flap with plastic scraper
- Hopper stainless steel 150 litre , inside Teflon coated
- Hopper base Teflon coated
- Operation: Siemens PLC with on / off / emergency stop / position stop / pre-set counter
- Digital read-out on Siemens touch panel
- Oil shortage detection
- Frequency inverter for adjustable speed
- Servo weight adjustment with digital read-out
- Control box integrated in cover plates (left side)
- Undercarriage with feet

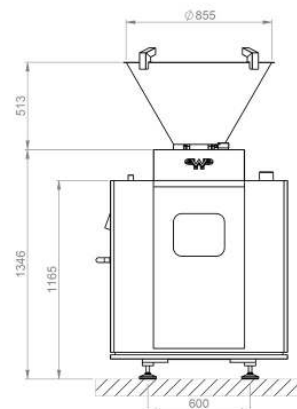
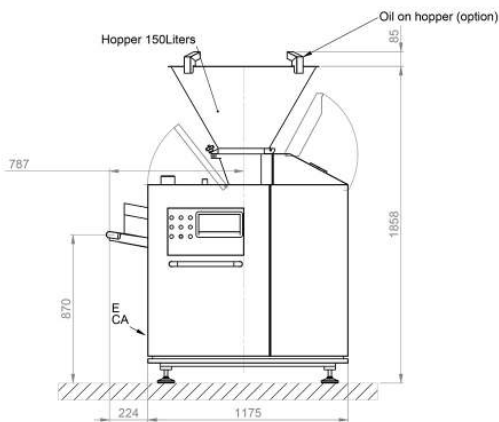
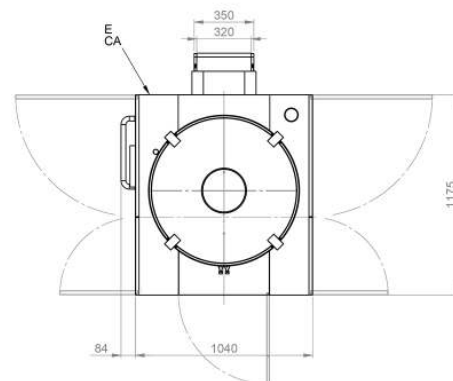
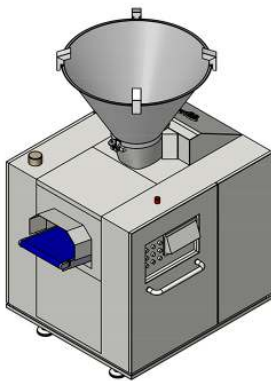


Illustration B 300 GV

## B 300 GV

TYPE		WEIGHT RANGE	CAPACITY (FIXED)	VARIABLE (OPTION)
1000		100 - 1200 gr	<3000 pcs/h.	1500-3000 pcs/h.
1500		200 - 1800 gr		
2000		400 - 2400 gr		

DIMENSIONS (DEPENDING ON EXECUTION)		WEIGHT	CONNECTED LOAD
Length	1400 mm	net 720 kg	230/400 V, 3 phase, 50 Hz + earth
Width	1100 mm	gross 880 kg	4,0 KVA
Height	1860 mm	Shipping volume 2,6 m <sup>3</sup>	Pneumatic connection required

### OPTIONS

- Oiling on hopper
- Hinged hopper stainless steel 180 litre, inside Teflon coated
- Oil tank with float-operated switch with connection to customer's central oil supply
- Customer specific Blue Box

#### WP HATON BV

Industrieterrein 13 // 5981 NK Panningen // Netherlands // Phone +31 77307-1860 // Fax +31 77307-5148 // info@wp-haton.com // www.wp-haton.com