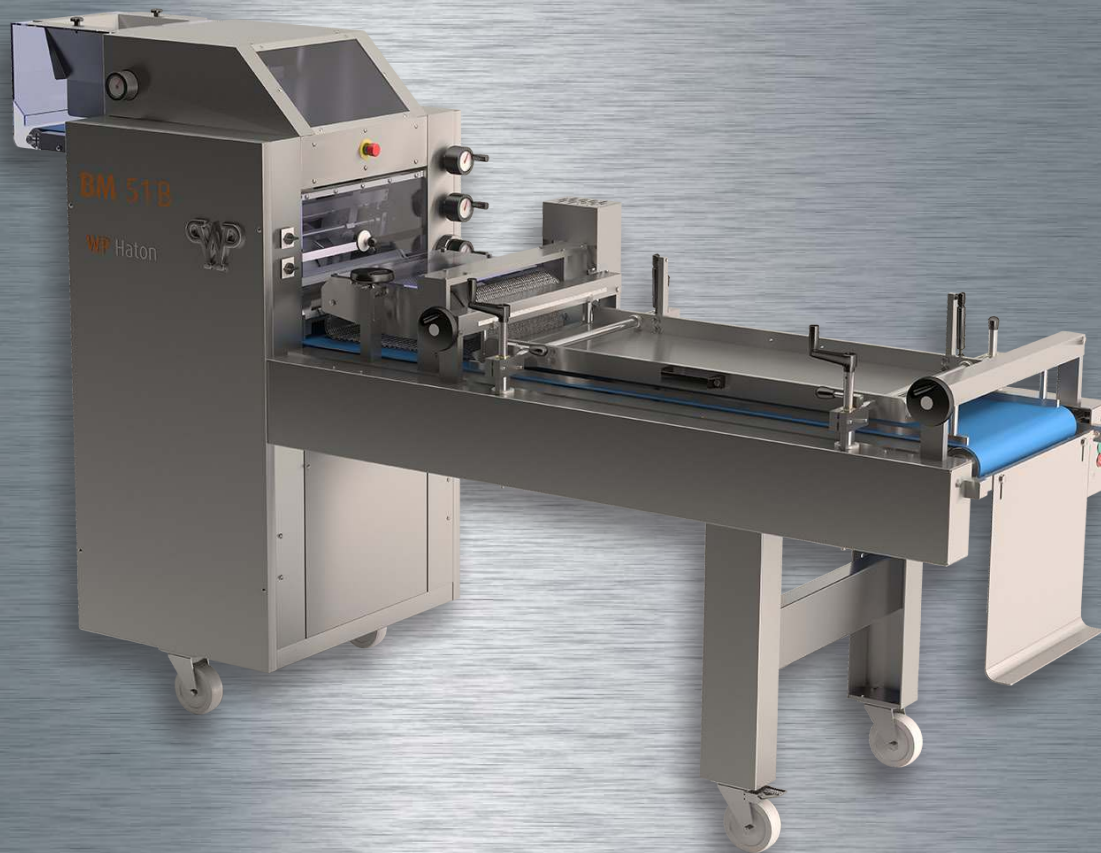


think process!

WP Haton



BM 51 B

Long Moulder

WP BAKERYGROUP

think process!

BM 51 B

Picture BM 51 B with infeed conveyor

SUITABLE FOR WHEAT AND WHEAT/RYE
(UP TO 30% RYE) DOUGHS



BENEFITS

- Perfect sheeting results by drum principle
- Possibility to process many types of dough
- Modern design in stainless steel
- Easy to operate and maintain
- Adjustable folding blades during sheeting for short and long loaves
- Second roller spring loaded
- Blower on transfer drum
- Easy adjustable settings with read-out
- Quick lock system on pressure board
- Second pressure board (option) for longer dwell time

BASIC EXECUTION:

- Infeed hopper with adjustable side walls
- Drum, steel, covered with synthetic sleeve
- Adjustable synthetic rollers with synthetic scrapers, width 320 mm, Ø 100 mm
- Opening between roller pairs (1st and 2nd) adjustable between 3-40 mm, with adjustable drum, spring mounted
- Blower on transfer drum
- Operation always left-hand side
- Adjustable curling net, stainless steel
- Hinged pressure board, adjustable in height, with adjustable Teflon coated side guides
- Moulding bridge glass bead blasted
- Cover plates stainless steel
- Undercarriage 4 swivel castors, 2 with brake

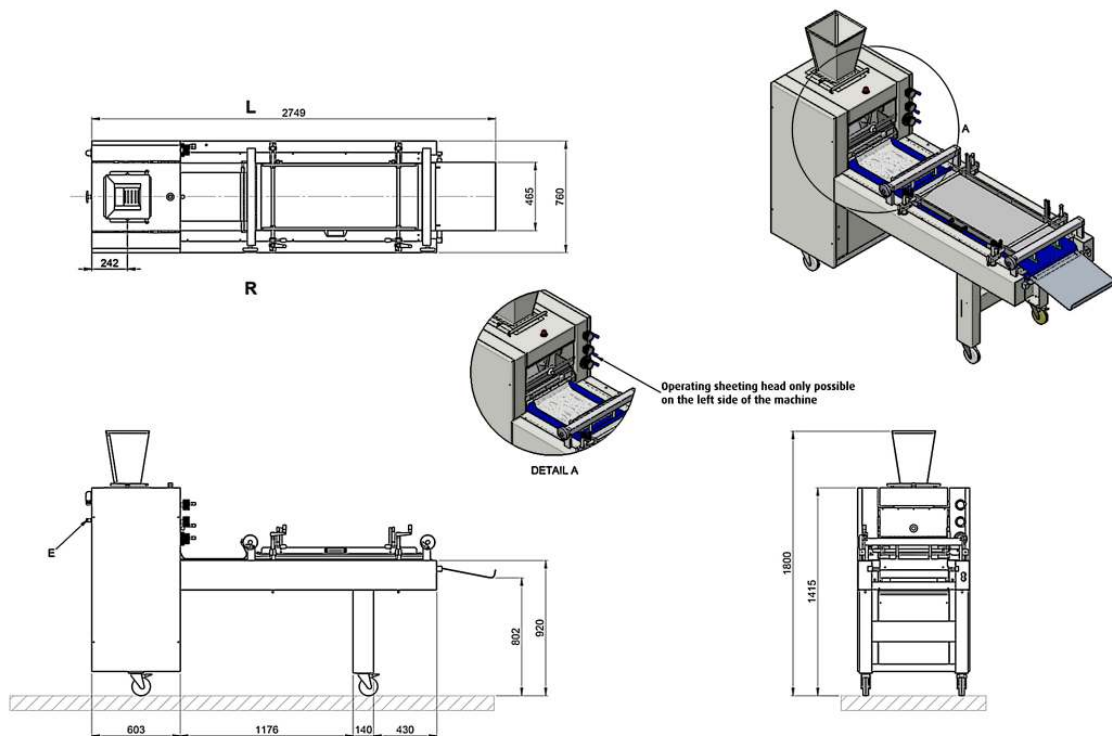


Illustration BM 51 B version

BM 51 B

| TYPE | WEIGHT RANGE | CAPACITY |
|---------|---------------|--|
| BM 51 B | 110 - 1600 gr | < 2000 pcs/h. depending on dough weight |

| DIMENSIONS | | WEIGHT | CONNECTED LOAD |
|------------|---------|------------------------------------|--------------------------|
| Length | 2750 mm | net 610 kg | 230/400 V, 50 Hz + earth |
| Width | 760 mm | gross 700 kg | 0,8 kVA |
| Height | 1800 mm | Shipping volume 3,9 m ³ | |

OPTIONS

- Infeed conveyor with centering rollers instead hopper (L=+352 mm)
- Driven curling net running against dough flow
- Extra pressure board for extended version (N-version), including heavier curling net
- Cutting station 2- or 4-pieces
- Customer specific Blue Box

WP HATON BV

Industrieterrein 13 // 5981 NK Panningen // Netherlands // Phone +31 77307-1860 // Fax +31 77307-5148 // info@wp-haton.com // www.wp-haton.com