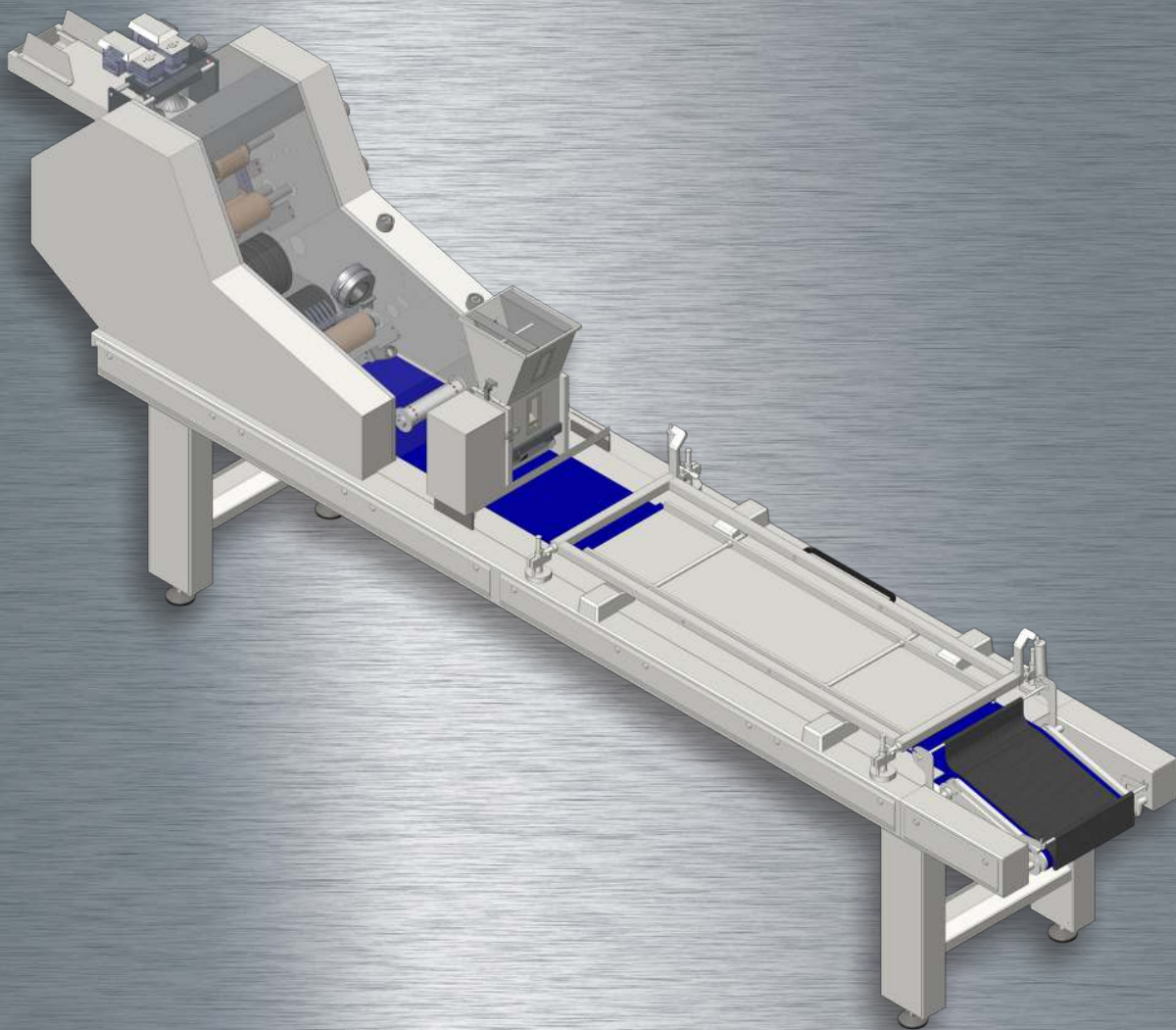


*think process!*

**WP** Haton



# COMBI IV

Industrial Long Moulder

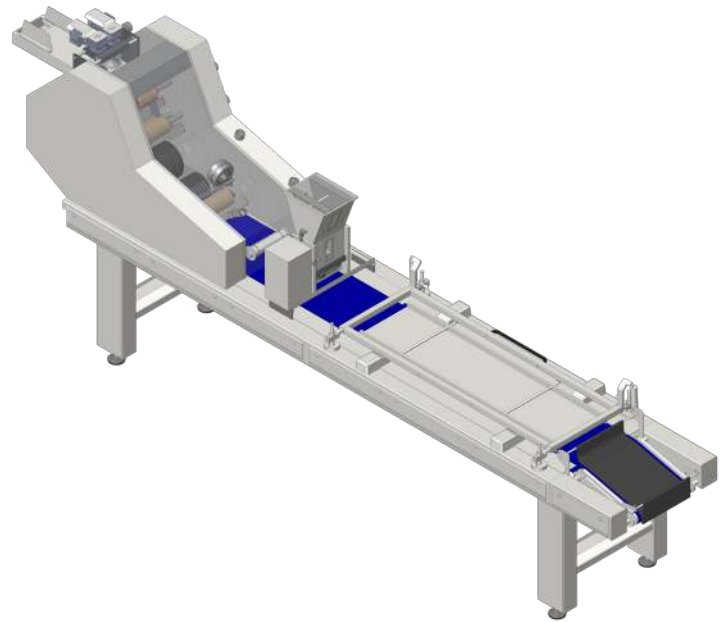
**WP** BAKERYGROUP

*think process!*

# COMBI IV

Picture Combi IV

SUITABLE FOR WHEAT DOUGHS AND MIXED  
RYE-WHEAT DOUGHS WITH RYE CONTENTS UP  
TO MAX. 30 %.



## BENEFITS

- Perfect moulding result because of :
  - Infeed conveyor with driven centring rollers
- 3 sets of sheeting rollers
- Tipping device
- Driven curling net
- Moulding bridge with adjustable belt speed
- Hinged pressure board for easy cleaning
- Easy to operate and maintain

## BASIC EXECUTION:

- Infeed conveyor with driven centring rollers with synthetic sleeves
- First pair of sheeting rollers (PTFE) width 152 mm with flanges and scrapers with Teflon coating, opening adjustable between 2 and 20 mm
- Second pair of sheeting rollers (PTFE) width 178 mm with flanges and scrapers with Teflon coating, opening adjustable between 2 and 20 mm
- Tipping device consisting of a turning and catch drum
- Third pair of sheeting rollers (PTFE) width 203 mm with flanges and scrapers with Teflon coating, opening adjustable between 2 and 20 mm
- Separately driven, in height adjustable, curling net
- Frame sheeting head of aluminium
- Brushed stainless steel cover plates
- Frame moulding bridge made of brushed stainless steel with synthetic belt, width 500 mm
- Hinged pressure board with synthetic cover
- Pressure board, adjustable in height between 10 and 70 mm on the infeed- and out-feed side
- Teflon coated side guides, adjustable on the infeed and out-feed side

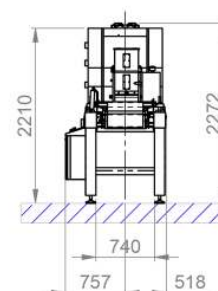
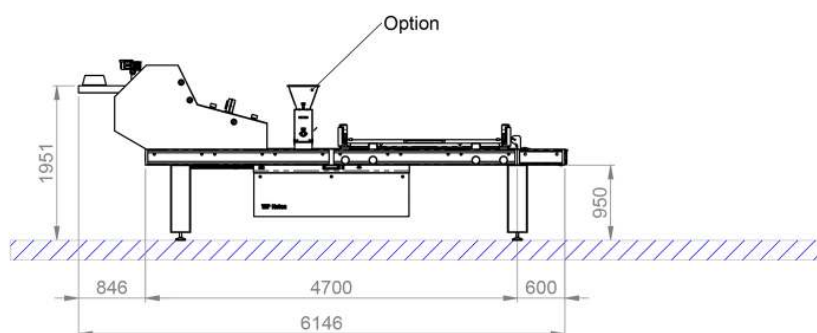
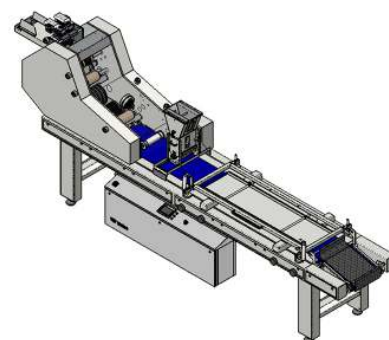
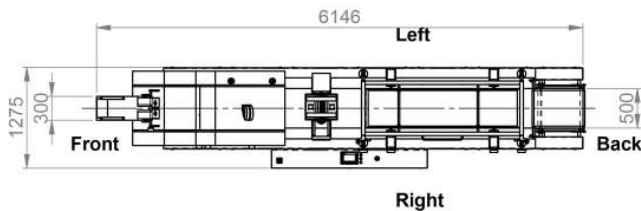


Illustration Combi IV

## COMBI IV

TYPE	WEIGHT RANGE	CAPACITY
Combi IV: - in standard execution	400 - 1100 gr	< 3600 pcs/h. at 900 gr dough weight

DIMENSIONS*		WEIGHT	CONNECTED LOAD
Length	5200 mm	net 1500 kg	230/400 V, 50 Hz + earth
Width	1030 mm	gross kg	4,0 kVA
Height	2125 mm	Shipping volume depending on execution	

### OPTIONS

- Communication / Ethernet card
- Recipe controlled automatic adjustments (sheeting rollers, turning drum, pressure station + side guides and guideroller)
- Driven top belt instead of pressure board
- Air on driven top belt
- Seeding device with exchangeable container, own drive with switch box
- Additional seeding container
- Customer specific Blue Box

#### WP HATON BV

Industrieterrein 13 // 5981 NK Panningen // Netherlands // Phone +31 77307-1860 // Fax +31 77307-5148 // info@wp-haton.com // www.wp-haton.com