

think process!

WP Haton



V 900

Dough Divider

WP BAKERYGROUP

think process!

V 900

Picture V 900 with oil catch tray, movable

DESIGNED FOR HIGH SPEED DOUGH MAKE UP LINES. IT CAN BE USED FOR VARIOUS PROCESSES AND CAN BE INTEGRATED IN MOST CLASSIC BREAD LINES. THE V 900 IS SUITABLE TO DIVIDE ALL COMMON DOUGHS SUCH AS WHEAT, RYE, MULTIGRAIN, WHOLE WHEAT, HIGH WATER ABSORPTION DOUGHS, AS WELL AS STIFF DOUGHS.

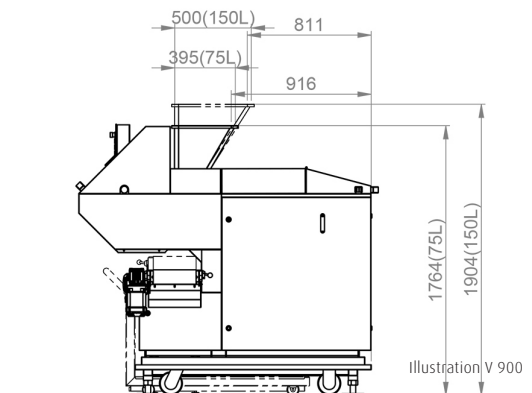
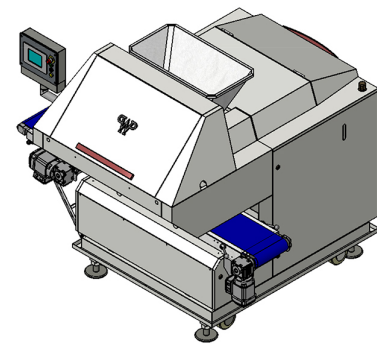
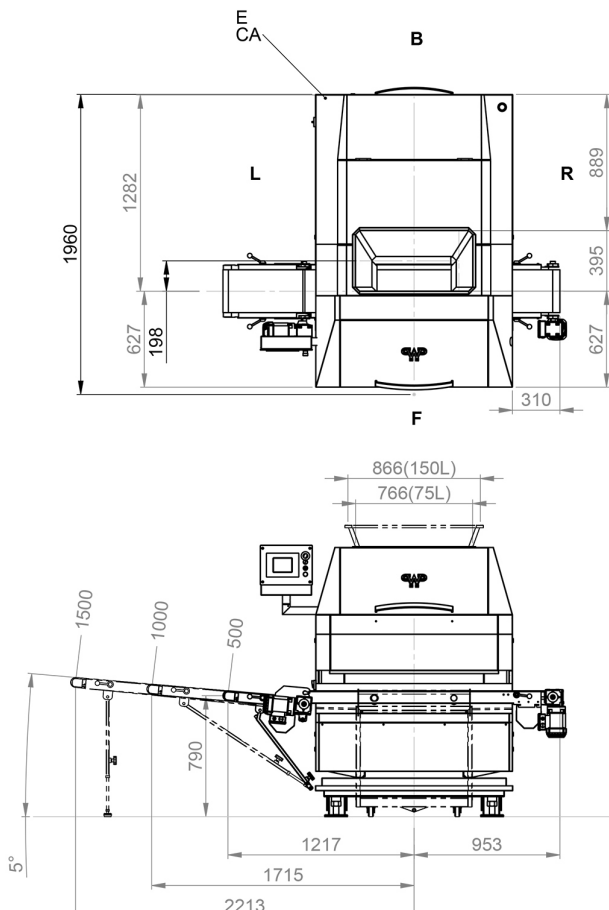


BENEFITS

- High weight accuracy over a long period by using the best possible parts and materials
- Heavy duty drive mechanism with a combination of cam disc and crankshaft drive
- Long machine life with minimum down time and a high weight accuracy
- Excellent processing of all common doughs – straight doughs as well as fermented doughs
- Dough is portioned in a stand still position of the measuring pistons under adjustable hydraulic pressure, to guarantee a high compression and an equal filling of all pistons
- Heavy duty dividing mechanism
- Easy cleaning of in- and outside conveyors, hopper can be disconnected for easy cleaning
- Large weight range
- Open front lever design for visual control of dough discharge
- Oil catch tray underneath complete machine
- All settings of the V 900 can be done automatically and stored in the PLC
- Touch Screen operation with service program

BASIC EXECUTION:

- 4, 5, 6, 7, 3 and 6, 4 and 8 pocket machine
- Dividing unit Ni-Resist with automatic oiling system on unit and inner conveyor, 12 adjustable dosing valves, oil tank, with automatic switch off in case of no oil
- Discharge conveyor cross 500 mm with quick-lock system, scraper and catch tray
- Separate drive on in- and outside conveyor with gear motors inclusive frequency inverter
- Pneumatic discharge flap with plastic scraper
- Hopper stainless steel 75 litre, inside Teflon coated
- Hopper base Teflon coated
- Frequency inverter for variable speed
- Operation : Siemens PLC on arm above discharge conveyor with on / off / emergency stop / position stop / Servo weight adjustment / pre-set counter / setting of discharge flap / setting of positioning roller
- Main piston Ni-Resist
- Measuring pistons in food safe bronze
- Knife made of stainless steel, hardened
- Cover plates stainless steel, brushed, with Schmersal safety switches
- Frame steel, nickel plated
- Crankshaft and drive rods cast iron, nickel plated



V 900

TYPE	PARTITIONS	WEIGHT RANGE	CAPACITY
V 900 - 4	25 mm	200 - 1300 gr	2000 - 6000 pcs/h.
V 900 - 5	12,5 mm	200 - 1100 gr	2500 - 7500 pcs/h.
V 900 - 6	12,5 mm	150 - 890 gr	3000 - 9000 pcs/h.
V 900 - 7	12,5 mm	150 - 740 gr	3500 - 10500 pcs/h.
V 900 - 3/6	12,5 mm	300 - 1925 gr	1500 - 4500 pcs/h.
		150 - 890 gr	3000 - 9000 pcs/h.
V 900 - 4/8	12,5 mm	200 - 1400 gr	2000 - 6000 pcs/h.
		150 - 630 gr	4000 - 12000 pcs/h.

DIMENSIONS		WEIGHT	CONNECTED LOAD
Length	2410 mm	net 2900 kg	230/400 V 3 phase, 50 Hz + earth
Width	2000 mm	gross 3100 kg	9,0 KVA
Height	1770 mm	Shipping volume 4,2 m ³	Pneumatic connection required

OPTIONS

- Hopper stainless steel 150 litre, inside Teflon coated
- Hopper inside HDPE material
- Hopper base Nedox coated (NOT possible in combination with SR unit)
- Hopper base ceramic coated (in combination SR unit)
- Oil catch tray under machine, movable
- CleanTec version: S(our) R(estistant) unit, Combined inner and discharge conveyor on one moveable frame, Moveable oil catch tray, Pneumatics in a shielded box Bearing housings with corrosion protection coating
- Dividing unit in SR material with 25 mm partitions (other size partitions on request)
- Secondary oiling system for sugar dissolving oil
- Customer specific Blue Box

WP HATON BV

Industrieterrein 13 // 5981 NK Panningen // Netherlands // Phone +31 77307-1860 // Fax +31 77307-5148 // info@wp-haton.com // www.wp-haton.com